



# DISTRIBUTION CONSTRUCTION STANDARDS MANUAL

Part 9

*Date Published: 18 March 2020*

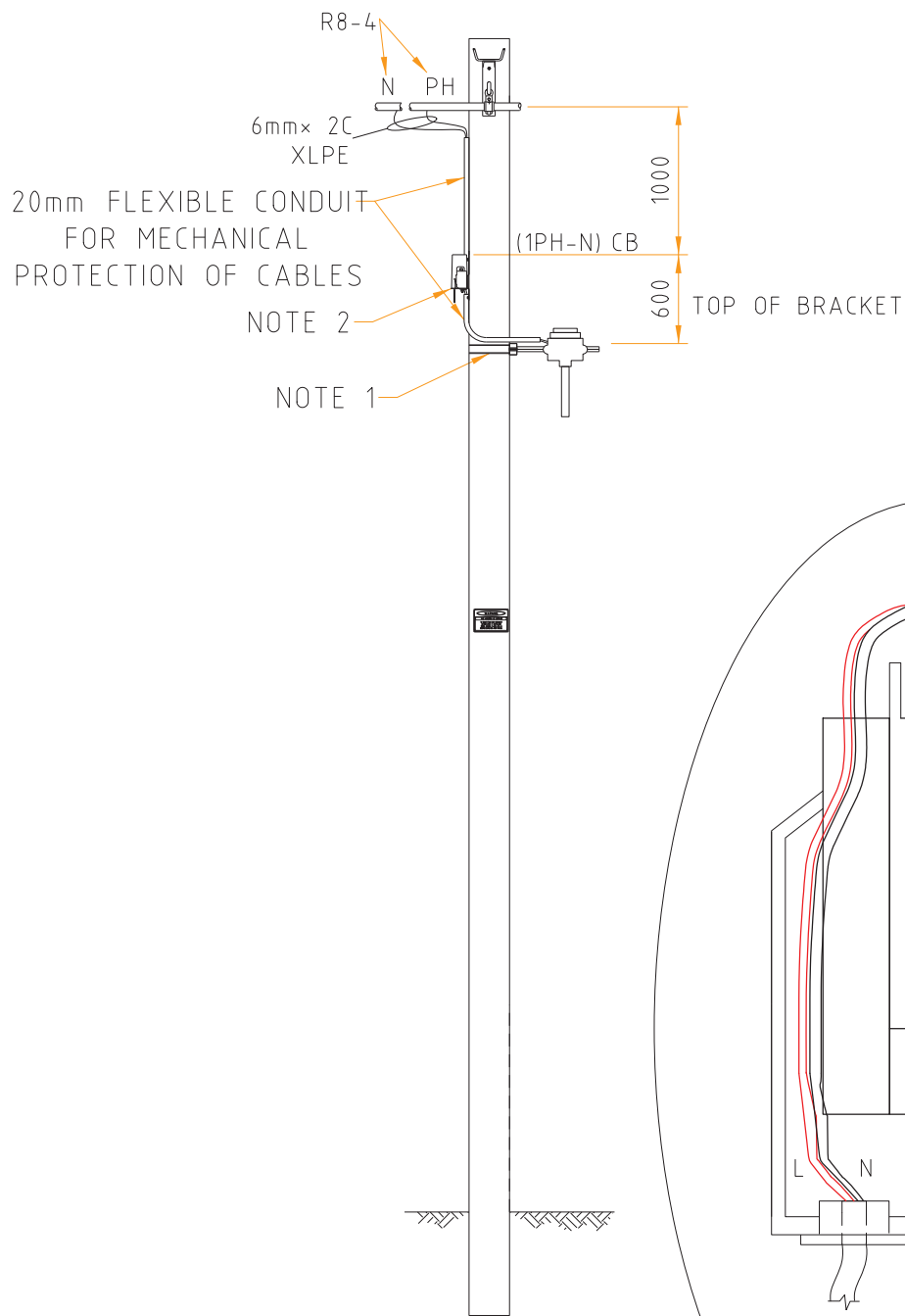
## **M - Miscellaneous**

For application to  
Horizon Power  
Electricity Distribution Networks

Uncontrolled document when printed. Refer Online for latest version.

## Part 9 – Miscellaneous – Drawing Register

Number	Description
<a href="#">M1-1</a>	SSN Network Device with LV Aerial Supply (ABC) Arrangement
<a href="#">M1-2</a>	SSN Network Device with LV Aerial Supply Arrangement (9.5m Pole)
<a href="#">M1-3</a>	SSN Network Device with LV Aerial Supply Arrangement (11m Pole)
<a href="#">M1-4</a>	SSN Network Device with Street Light Supply Arrangement
<a href="#">M1-5</a>	SSN Network Device with LV Kiosk (Type 1) Supply Arrangement (Above 100km Distance) – 9.5m Pole
<a href="#">M1-6</a>	SSN Network Device with LV Kiosk (Type 1) Supply Arrangement (Above 100km Distance) – Street Light Pole
<a href="#">M1-7</a>	SSN Network Device with LV Kiosk (Type 1) Supply Arrangement (Above 100km Distance) – Street Light Pole
<a href="#">M3-1</a>	Pole Top Switch or Isolator Ground Clearing Details
<a href="#">M3-2</a>	Expulsion Type Drop Out Fuse Ground Clearing Details



NOTES:

1. USE 2 x 32mm BANDIT STRAPS FOR STEEL POLES, FOR EXISTING WOOD POLES USE 2 x M16 x 400mm BOLTS.
2. 1PH CB WITH "NEUTRAL FEED THROUGH POLE". SECURE CB TO POLE USING 20mm BANDIT STRAPS (STEEL) OR 2 x M12 BOLTS (WOOD)



DISTRIBUTION CONSTRUCTION STANDARDS

OPERATIONS

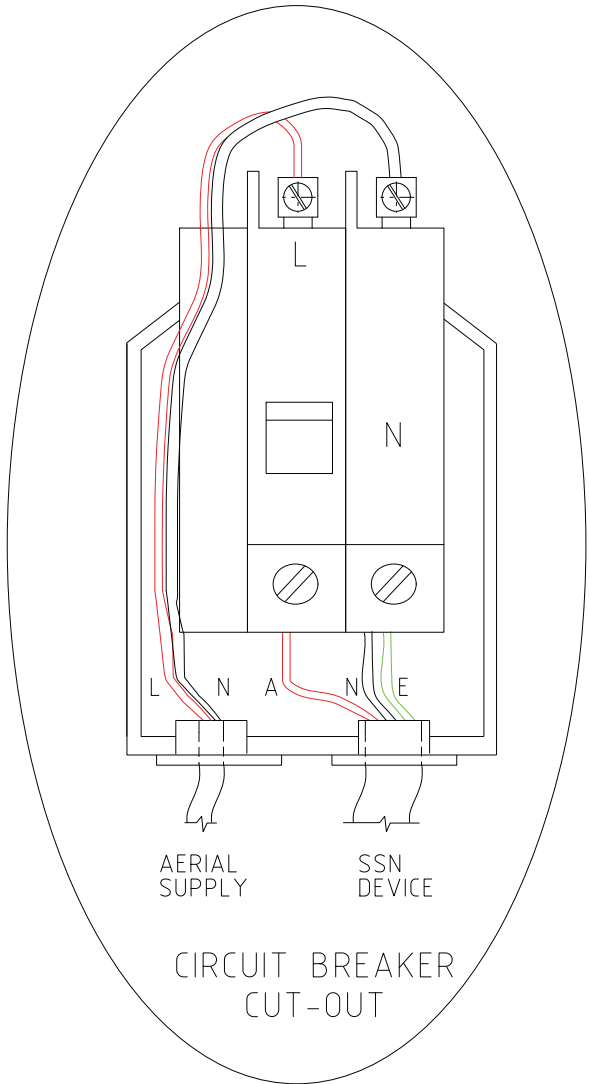
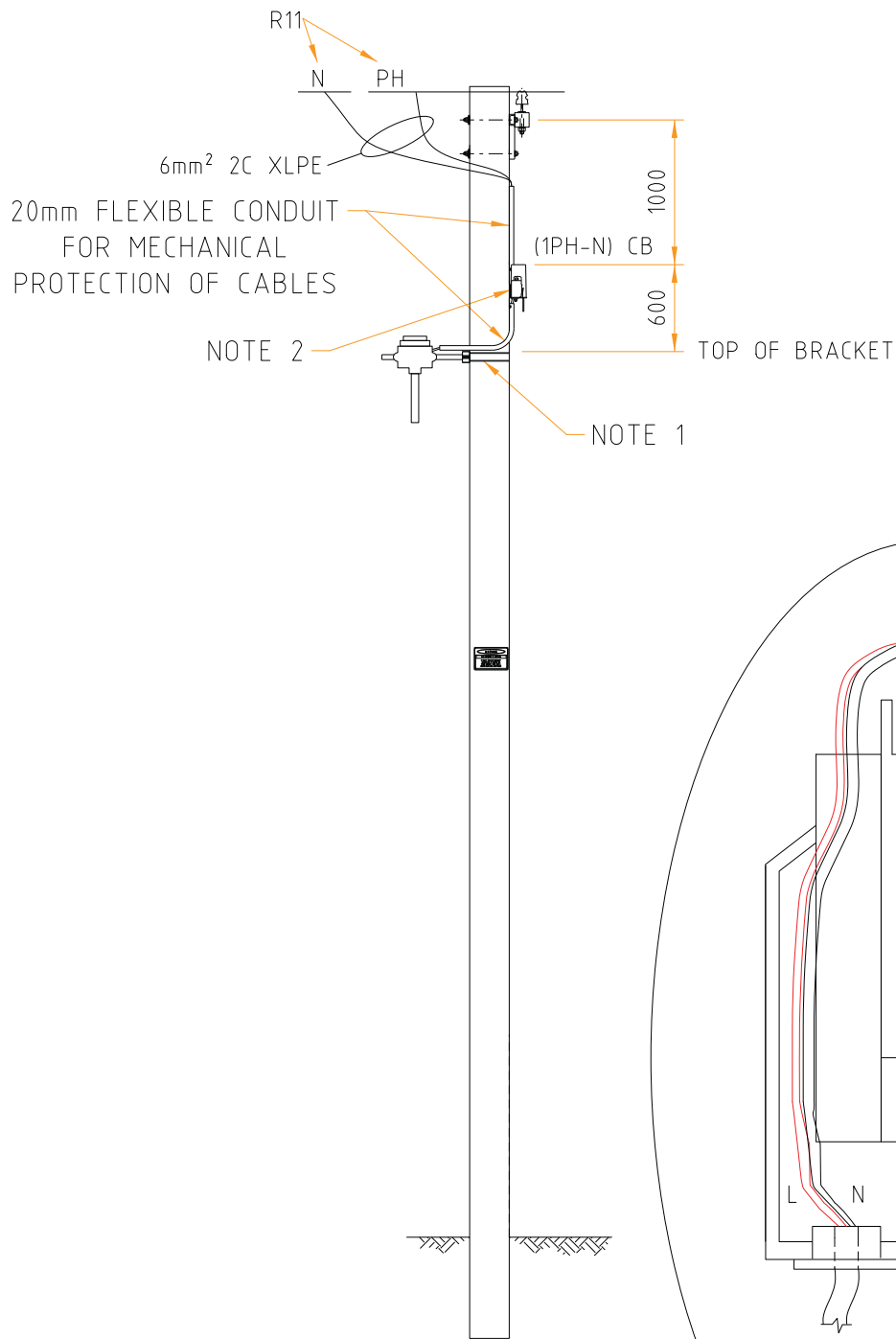
STRUCTURE - 9.5m

SSN NETWORK DEVICE WITH LV AERIAL SUPPLY (ABC) ARRANGEMENT

REVISION	DATE
B	MAY 2014

DRAWING No.

M1-1



CIRCUIT BREAKER CUT-OUT

NOTES:

1. USE 2 x 32mm BANDIT STRAPS FOR STEEL POLES, FOR EXISTING WOOD POLES USE 2 x M16 x 400mm BOLTS.
2. 1PH CB WITH "NEUTRAL FEED THROUGH POLE". SECURE CB TO POLE USING 20mm BANDIT STRAPS (STEEL) OR 2 x M12 BOLTS (WOOD)



DISTRIBUTION CONSTRUCTION STANDARDS

OPERATIONS

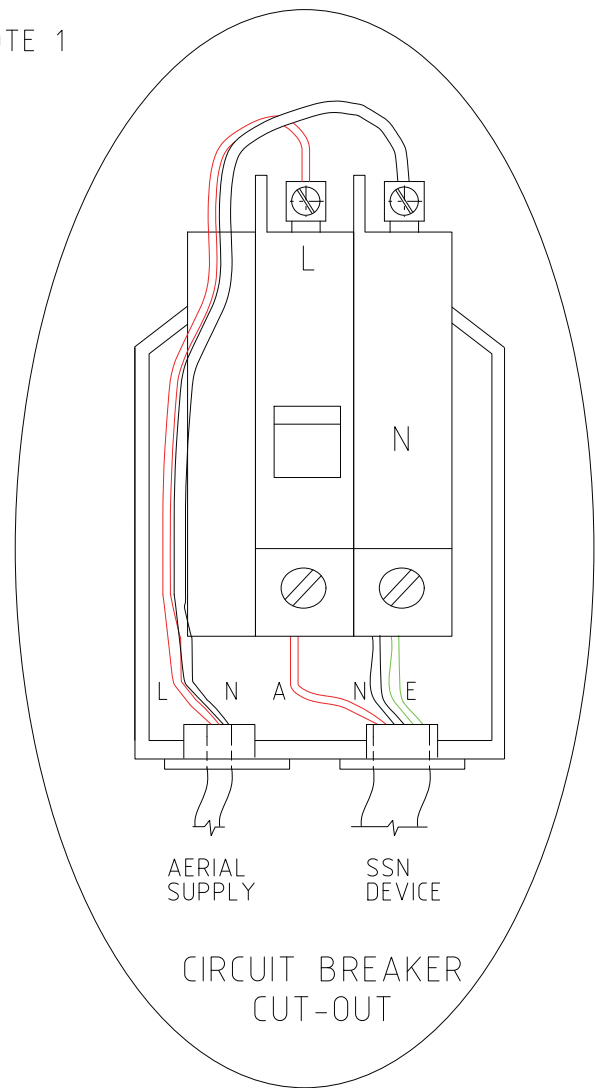
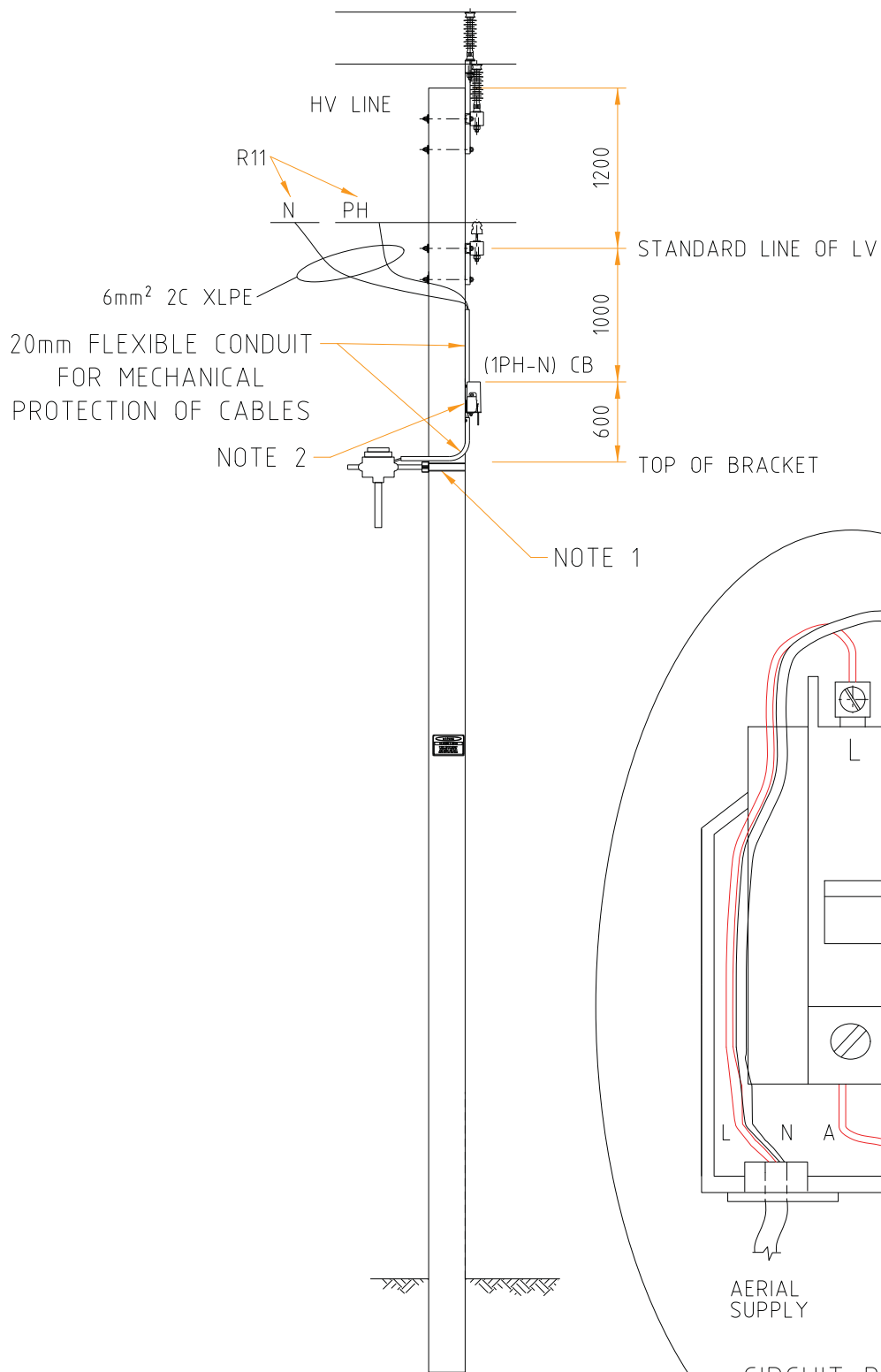
STRUCTURE - 9.5m

SSN NETWORK DEVICE WITH LV AERIAL SUPPLY ARRANGEMENT

REVISION	DATE
B	MAY 2014

DRAWING No.

M1-2



NOTES:

1. USE 2 x 32mm BANDIT STRAPS FOR STEEL POLES, FOR EXISTING WOOD POLES USE 2 x M16 x 400mm BOLTS.
2. 1PH CB WITH "NEUTRAL FEED THROUGH POLE". SECURE CB TO POLE USING 20mm BANDIT STRAPS (STEEL) OR 2 x M12 BOLTS (WOOD)



DISTRIBUTION CONSTRUCTION STANDARDS

OPERATIONS

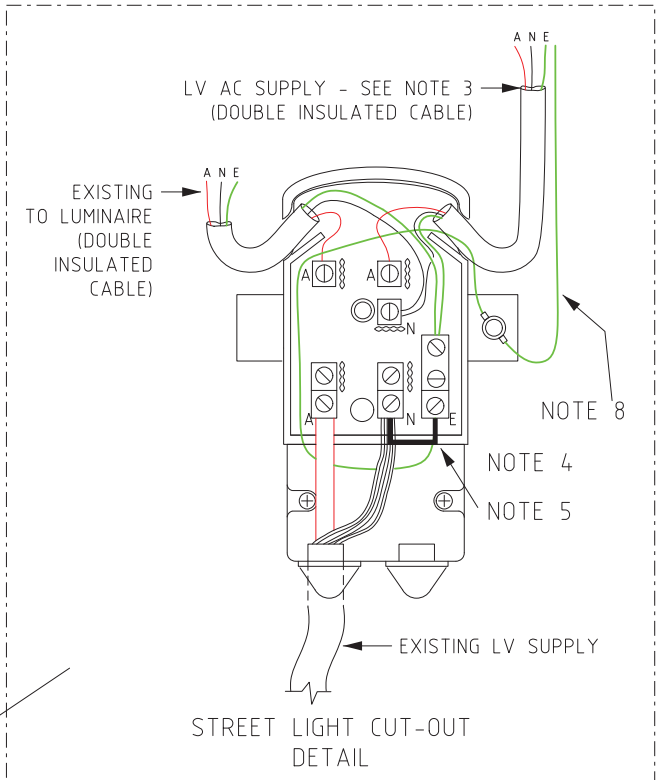
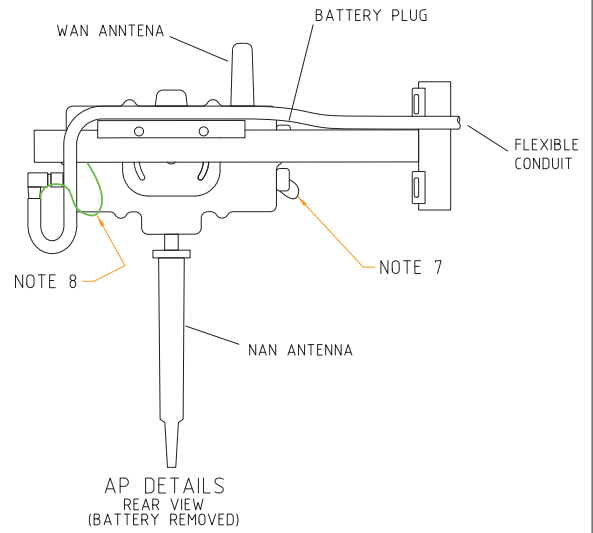
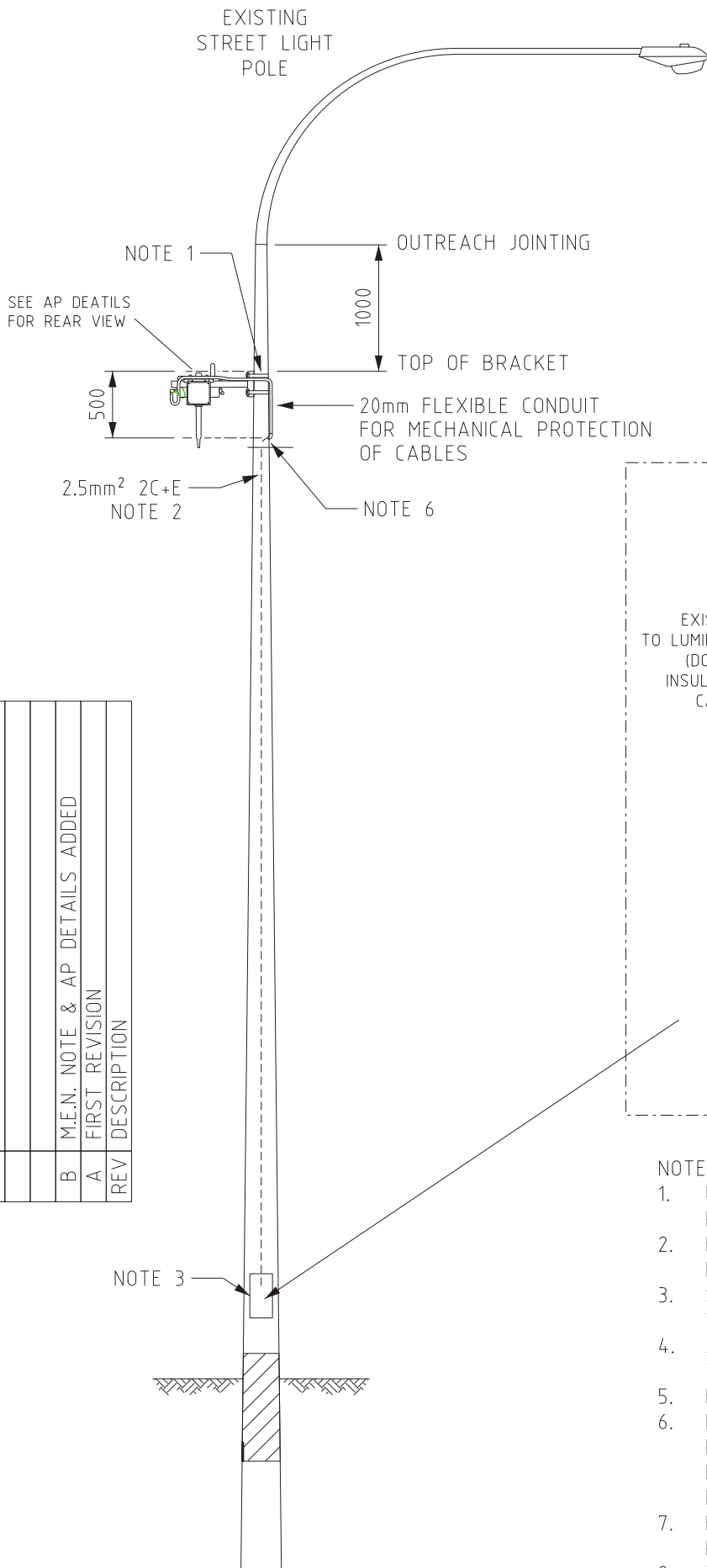
STRUCTURE - 11m

SSN NETWORK DEVICE WITH LV AERIAL SUPPLY (ON HV POLE) ARRANGEMENT

REVISION B DATE MAY 2014

DRAWING No. M1-3

EXISTING STREET LIGHT POLE



REV	DESCRIPTION
B	M.E.N. NOTE & AP DETAILS ADDED
A	FIRST REVISION

NOTES:

1. USE 2 x 32mm BANDIT STRAPS FOR STREET LIGHT POLES
2. EXTEND THE LV AC SUPPLY FROM STREET LIGHTING POLE CUT-OUT TO ACCESS POINT/RELAY
3. STREET LIGHT CUT-OUT WILL NEED TO COMPLY WITH CURRENT STANDARDS
4. ADD 5 AMP FUSE ON CUT-OUT FOR NEW CIRCUIT TO AP/RELAY
5. ENSURE M.E.N. CONNECTION IS INSTALLED
6. DRILL A HOLE TO FIX 20mm CONDUIT GLAND. ANY RISK OF DAMAGE TO STREET LIGHT CABLE MUST BE ASSESSED AND IF REQUIRED, CABLE MUST BE ISOLATED AND REMOVED BEFORE DRILLING
7. BATTERY AND LAN PLUG CAPS TO REMAIN IN PLACE UNTIL CABLE IS FITTED
8. TERMINATE EARTH CABLE TO AP CASE EXTERNAL EARTHING POINT



DISTRIBUTION CONSTRUCTION STANDARDS

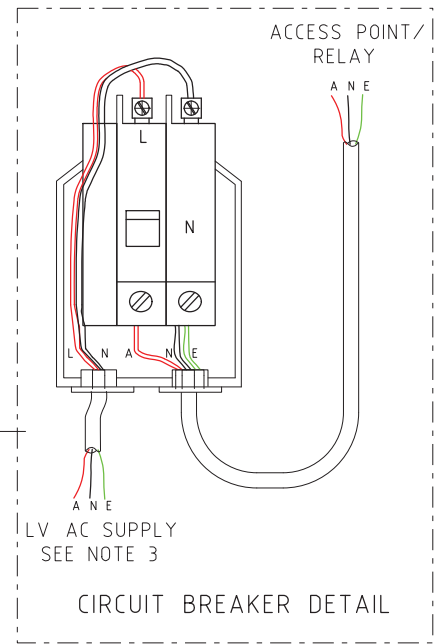
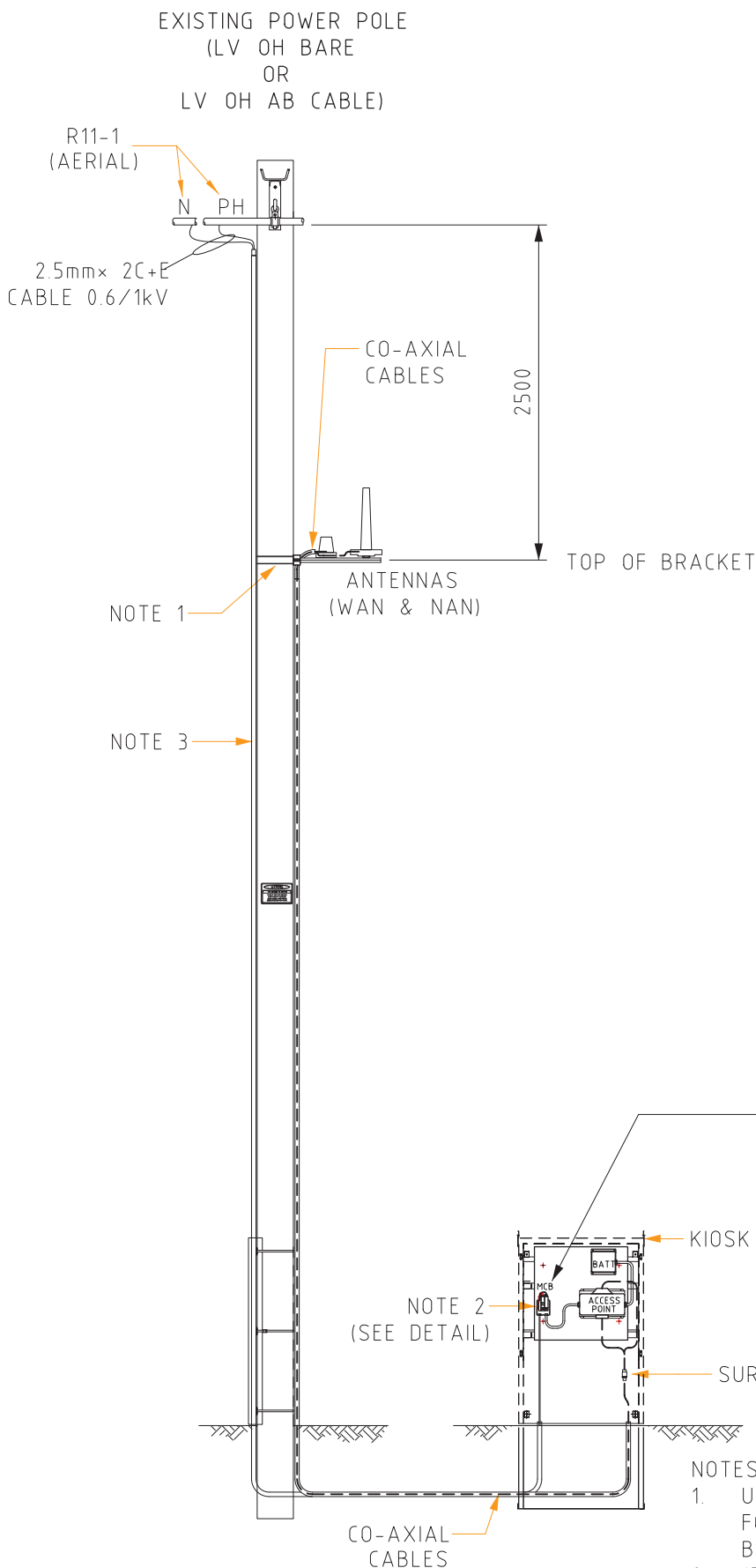
OPERATIONS

STRUCTURE - STREET LIGHT POLE

SSN NETWORK DEVICE WITH STREET LIGHT SUPPLY ARRANGEMENT

REVISION	DATE
B	07-03-19

DRAWING No.  
M1-4



NOTES:

1. USE 2 x 32mm BANDIT STRAPS FOR STEEL POLES. FOR EXISTING WOOD POLES USE 2 x M16 x 400mm BOLTS.
2. 1PH CB WITH "NEUTRAL FEED THROUGH POLE" MTD IN KIOSK.
3. EXTEND THE LV AC SUPPLY FROM LV O/H BARE (OR LV O/H ABC) TO CB IN LV KIOSK AND THEN TO ACCESS POINT/RELAY.



DISTRIBUTION CONSTRUCTION STANDARDS

OPERATIONS

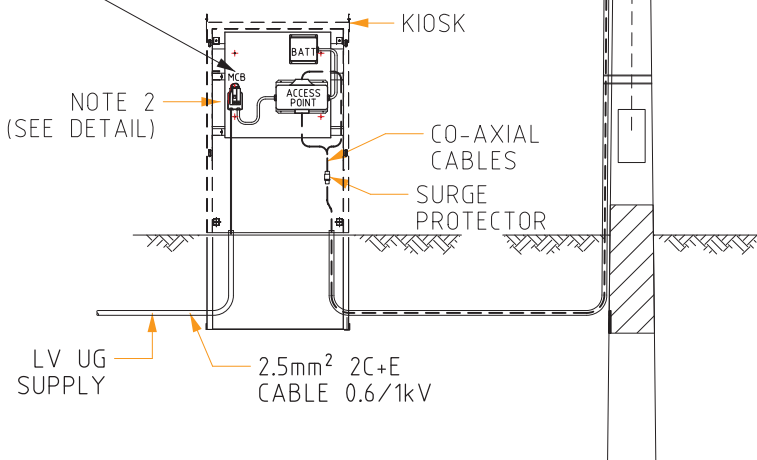
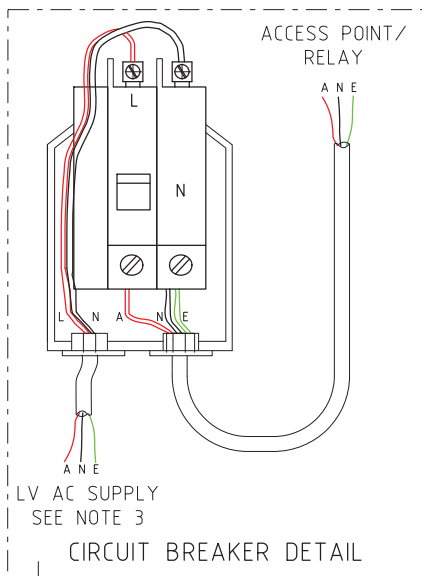
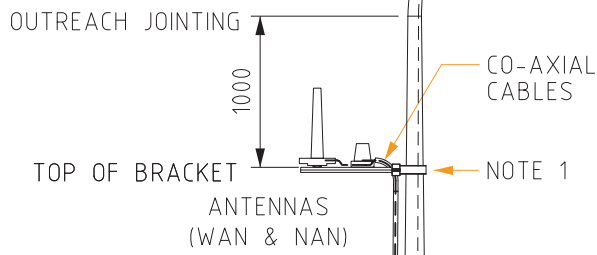
STRUCTURE - 9.5M POWER POLE

SSN NETWORK DEVICE WITH LV KIOSK (TYPE-1) SUPPLY ARRANGEMENT (ABOVE 100km DISTANCE)

REVISION A	DATE 26-03-15
---------------	------------------

DRAWING No.  
M1-5

EXISTING  
STREET LIGHT  
POLE



NOTES:

1. USE 2 x 32mm BAND-IT STRAPS FOR STREET LIGHT POLES.
2. 1PH CB WITH "NEUTRAL FEED THROUGH POLE". MTD IN KIOSK.
3. EXTEND THE LV AC FROM UG SUPPLY TO CB IN LV KIOSK AND THEN TO ACCESS POINT/RELAY.
4. USE BAND-IT STRAPS TO FIX CO-AX CABLE CONDUIT TO OUTSIDE OF POLE.



DISTRIBUTION CONSTRUCTION  
STANDARDS

OPERATIONS

STRUCTURE - STREET LIGHT POLE

SSN NETWORK DEVICE  
WITH LV KIOSK (TYPE-1) SUPPLY  
ARRANGEMENT (ABOVE 100KM DISTANCE)

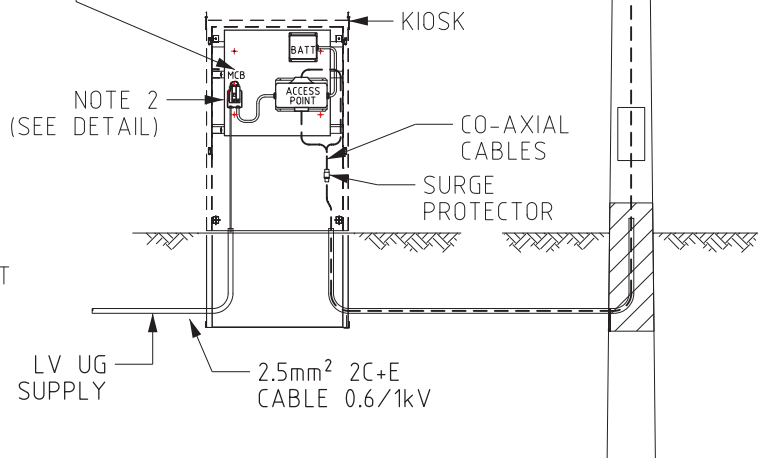
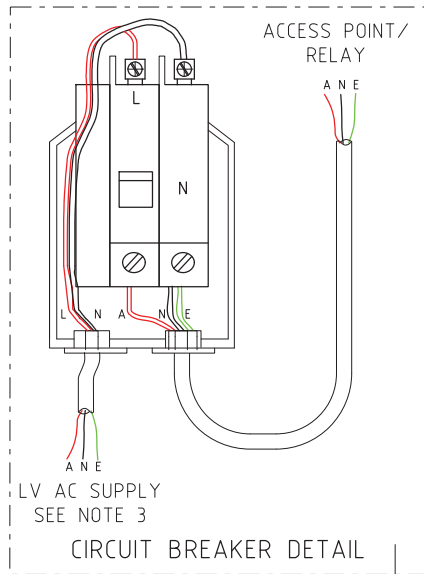
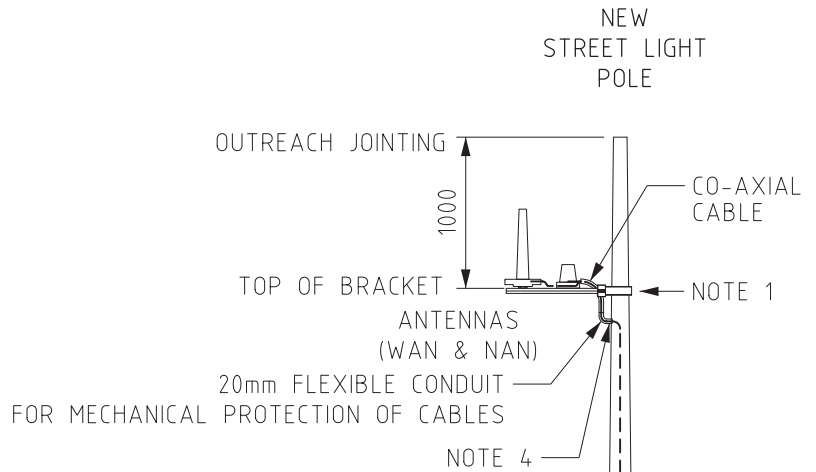
REVISION  
A

DATE  
26-03-15

DRAWING No.

M1-6





NOTES:

1. USE 2 x 32mm BANDIT STRAPS FOR STREET LIGHTING POLES.
2. 1PH CB WITH "NEUTRAL FEED THROUGH POLE". MTD IN KIOSK.
3. EXTEND THE LV AC SUPPLY FROM LV UG CABLE TO CB IN LV KIOSK AND THEN TO ACCESS POINT/RELAY.
4. DRILL A HOLE TO FIX 20mm RUBBER SEAL.



DISTRIBUTION CONSTRUCTION  
STANDARDS

OPERATIONS

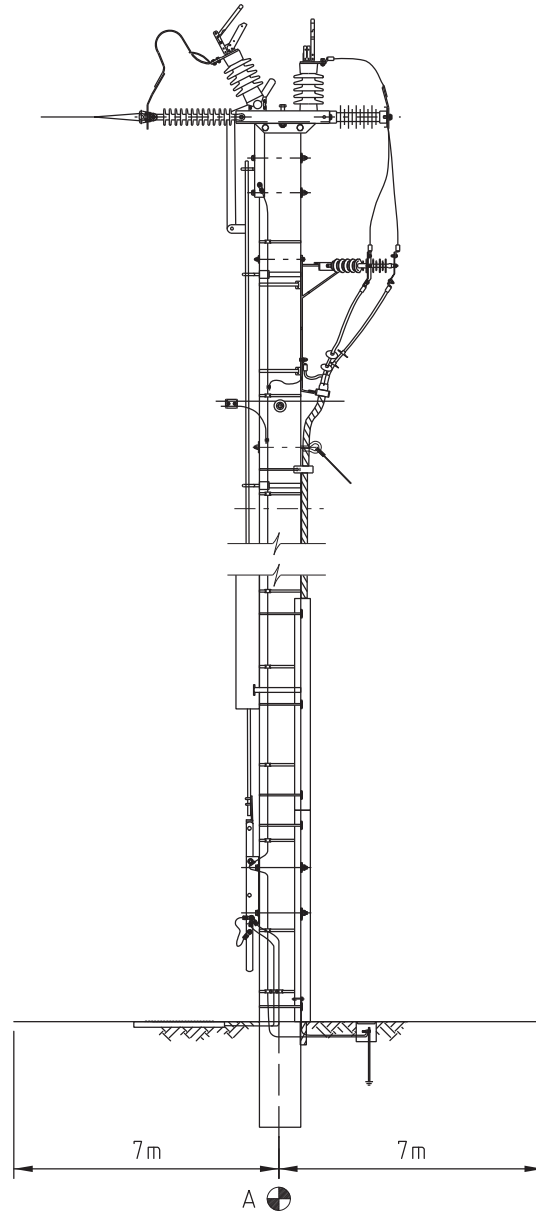
STRUCTURE - STREET LIGHT POLE

SSN NETWORK DEVICE  
WITH LV KIOSK (TYPE-1) SUPPLY  
ARRANGEMENT (ABOVE 100KM DISTANCE)

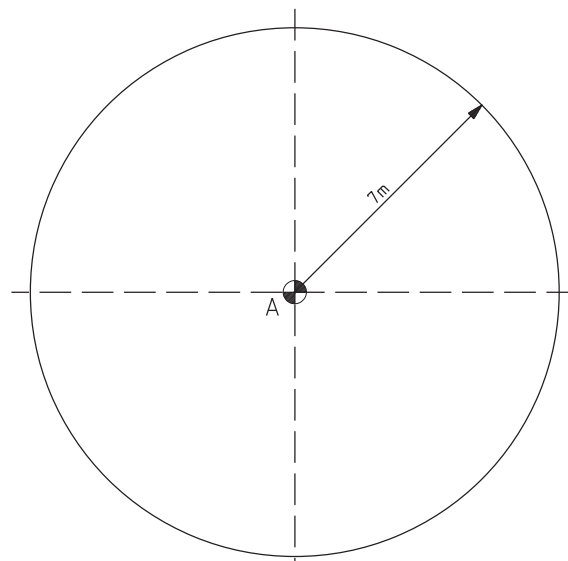
REVISION A	DATE 26-03-15
---------------	------------------

DRAWING No.  
M1-7

SIDE VIEW OF P.T.S



OVERHEAD VIEW



OVERHEAD VIEW SHOWS THE FOOTPRINT TO BE CLEARED



DISTRIBUTION CONSTRUCTION STANDARDS

OPERATIONS

STRUCTURE GROUND CLEARING

POLE TOP SWITCH OR ISOLATOR GROUND CLEARING DETAILS

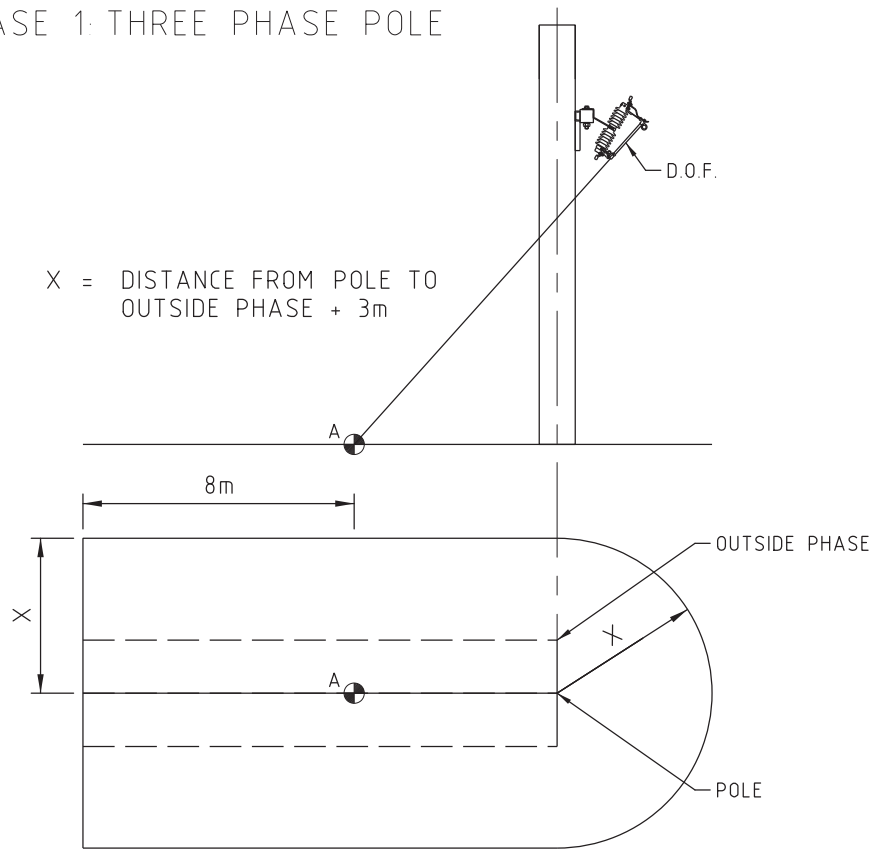
REVISION B

DATE AUG 2015

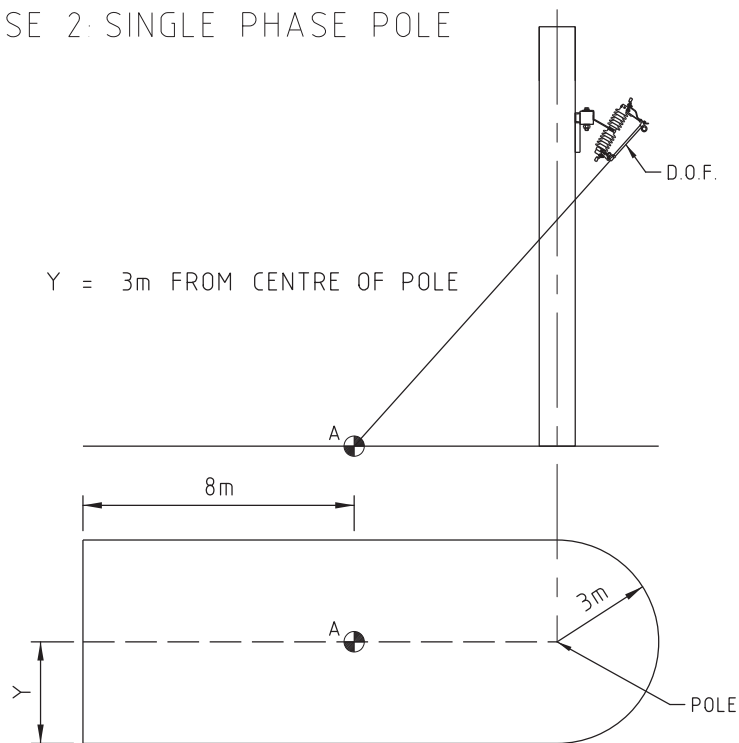
DRAWING No.

M3-1

CASE 1: THREE PHASE POLE



CASE 2: SINGLE PHASE POLE



NOTE:

1. POINT A SHALL BE DETERMINED BY FOLLOWING A LINE FROM THE FUSE TO THE GROUND ALONG THE ANGLE OF THE FUSE.
2. FOR THREE-PHASE POLES, POINT A SHALL BE DETERMINED FROM CENTRE PHASE.



DISTRIBUTION CONSTRUCTION STANDARDS

OPERATIONS

STRUCTURE - GROUND

EXPULSION TYPE DROPOUT FUSE

GROUND CLEARING DETAILS

REVISION  
B

DATE  
AUG 2015

DRAWING No.

M3-2